

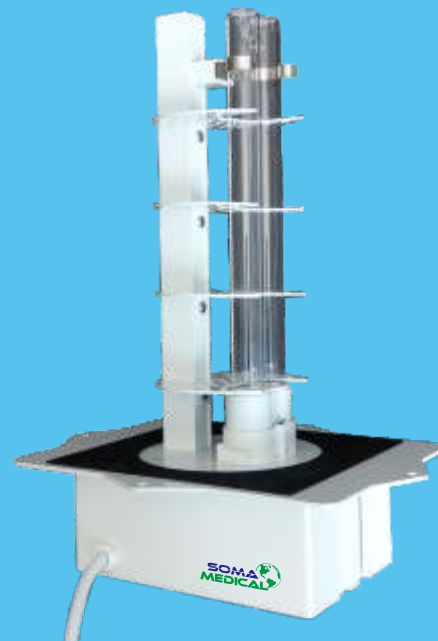


Ultraviolet Germicidal Irradiation Amalgam (for ducting)

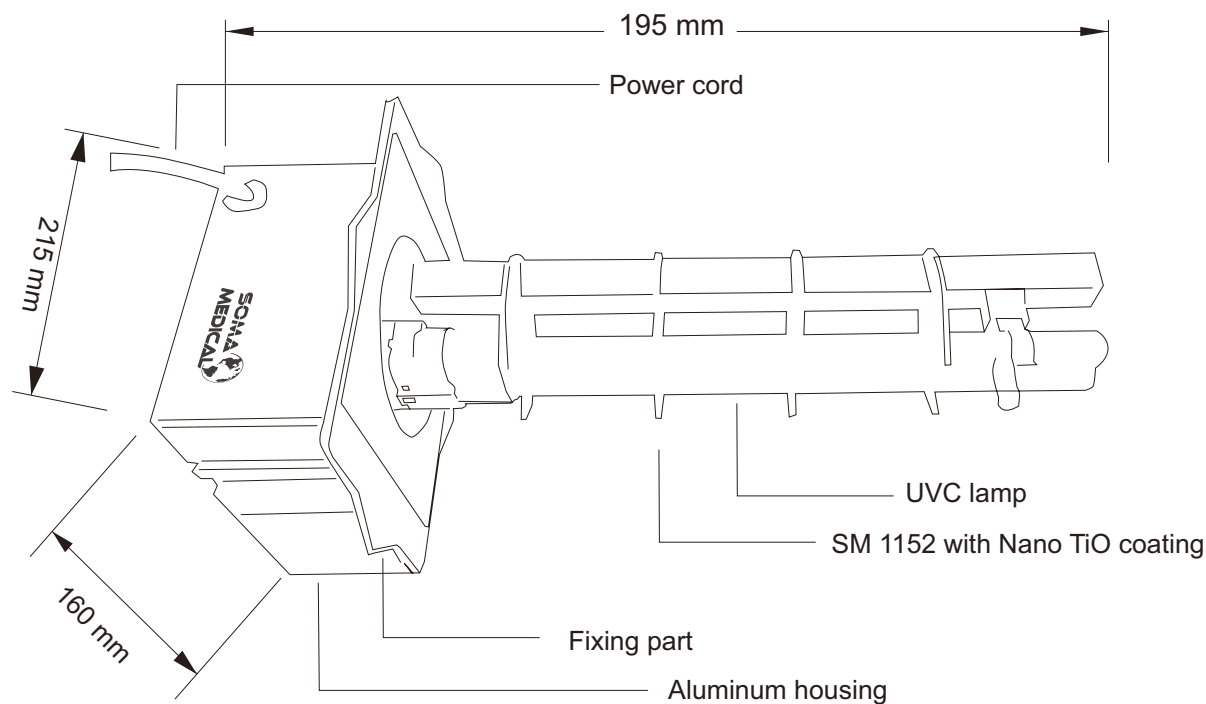
Model: LEO-3 (Version 2)
 Lightwave: UV-C primarily in the 253.7nm wavelength
 UV intensity @ 1m: 60 $\mu\text{W}/\text{cm}^2$
 Bulb lifespan: 8 000 operational hours
 Ballast lifespan: 30 000 operational hours
 UVC Power: 18 watts
 Product dimension: 215x160x295 mm
 Voltage supply: AC220-230V,50Hz
 Efficient area: 260 CBM/hour (153 CFM)
 PCO inside
 Aluminum housing
 Duct use

Packing information:

1 pc/inner carton: 310x230x180mm
 6 pcs/outer carton: 315x470x570mm
 NW: 13kgs GW: 18kgs



Structural Representation and Schematic Diagram of the LEO-3



The best way to prevent airborne diseases, yeast, fungi, bacteria and mold is to **ELIMINATE** them

UVGI LEO-3



Ultraviolet Germicidal Irradiation Amalgam (for ducting)

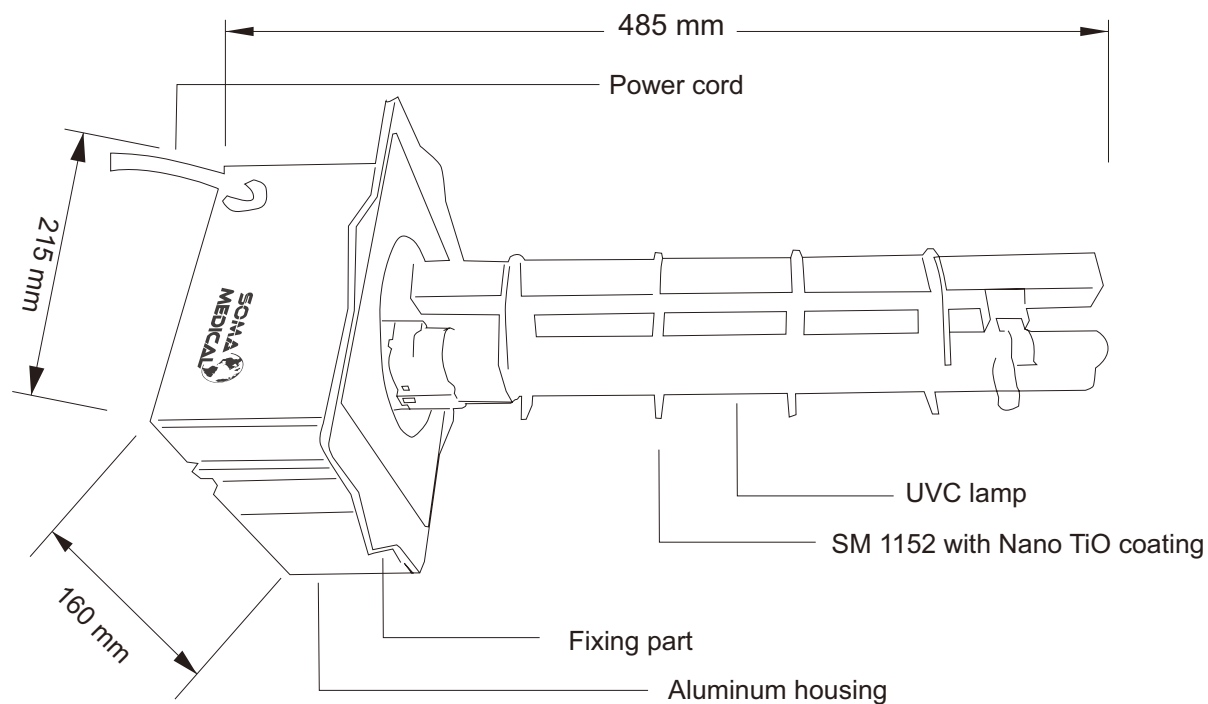
Model: LEO-3 (Version 3)
 Lightwave: UV-C primarily in the 253.7nm wavelength
 UV intensity @ 1m: 120 $\mu\text{W}/\text{cm}^2$
 Bulb lifespan: 8 000 operational hours
 Ballast lifespan: 30 000 operational hours
 UVC Power: 36 watts
 Product dimension: 215x160x485 mm
 Voltage supply: AC220-230V,50Hz
 Efficient area: 520 CBM/hour (306 CFM)
 PCO inside
 Aluminum housing
 Duct use

Packing information:

1 pc/inner carton: 500x230x180mm
 6 pcs/outer carton: 505x470x570mm
 NW: 16kgs GW: 21kgs



Structural Representation and Schematic Diagram of the LEO-3



2

The best way to prevent airborne diseases, yeast, fungi, bacteria and mold is to **ELIMINATE** them

UVGI LEO-3