

UVGI LEO-6 AIR STERILIZER

Model: LEO 6

Lightwave: UV-C primarily in the 222nm wavelength

Power: AC220-230V,50Hz

UV intensity inside the chamber: 15,000 $\mu\text{w}/\text{cm}^2$

Bulb lifespan: 8 000 operational hours

Ballast lifespan: 20 000 operational hours

Bulb length: 217mm

Power of bulb: 18 watts amalgam

Negative ions: 2 millions/cc

PCO plate inside coated with SM nano 1152 TiO₂

PP plasma filter

Effective area: 30 square meters

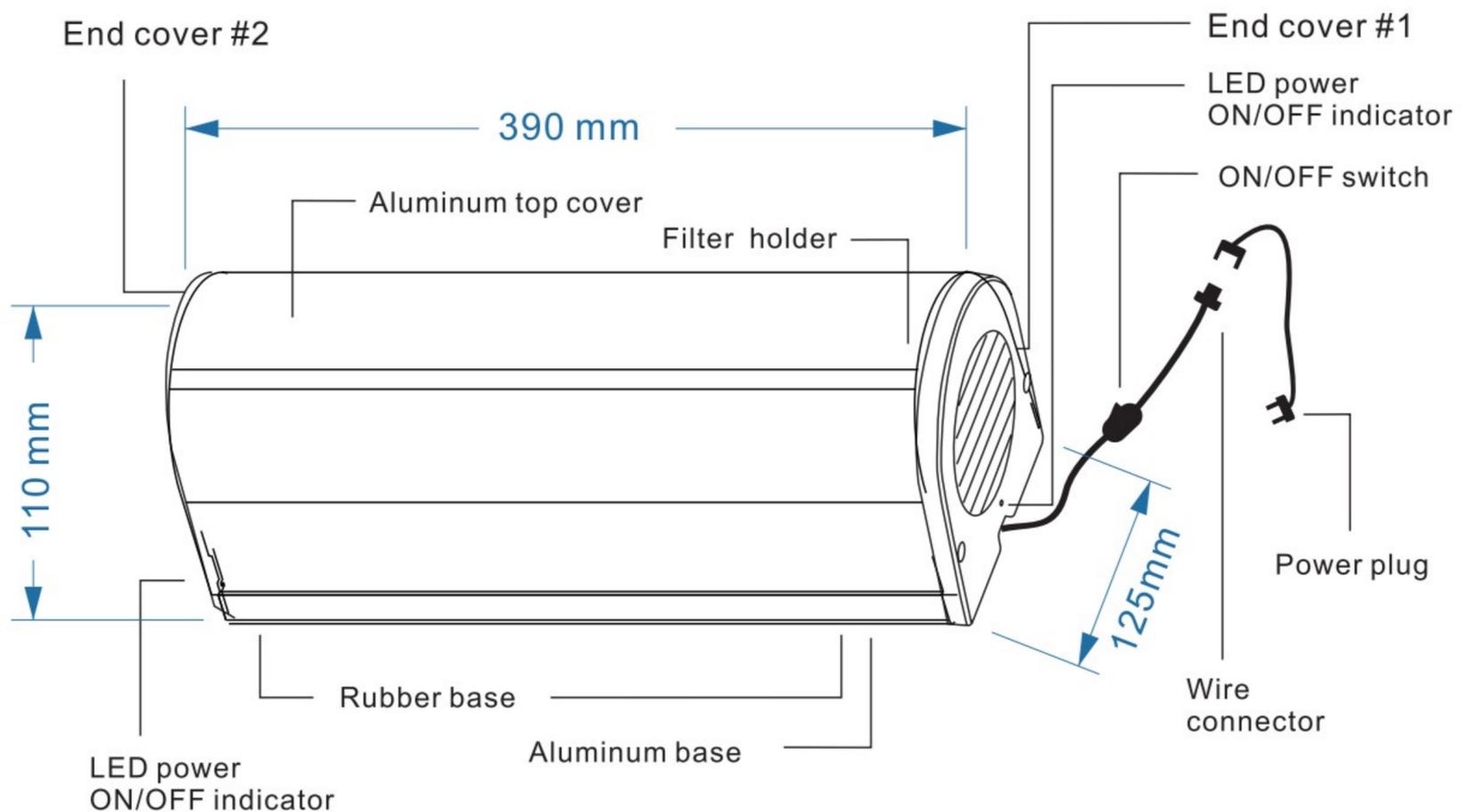
Net weight: 2.5 kgs

Built-in suction fan with pilot light

indicating when UV-C lamp needs to be replaced



Structural Representation and Schematic Diagram of the LEO-6



The best way to mitigate against airborne viruses, yeast, fungi, bacteria and mold

UVGI LEO-6

What UVGI / UVC technology can do:

Scientific evidence confirms that Clostridium difficile, MRSA, VRE, Acinetobacter baumannii, and influenza are transmitted via environmental surfaces. Studies indicate that only 50% of environmental surfaces in a typical operating room suite or patient room care in hospitals are effectively disinfected. Hence a patient's risk of contracting a Hospital Acquired Infection (HAI) from contaminated surfaces increases when the previous room occupant was infected.

- Mobile ultraviolet light (UV-C) unit significantly reduces aerobic colony counts and C. difficile spores on contaminated surfaces in hospitals.
- System for clinical & domestic applications to perform a proper air and surface sterilization against microbial contamination.
- Effective in the eradication of dust mites and bed bugs when used periodically.
- Prevention against indoor air contamination such as bacteria, mold, yeast and fungi.
- Decontamination of patient rooms, hotel rooms, meeting rooms etc... using an automated mobile UVC Light Unit.
- Short wavelength sterilization method to break down microorganisms in food and water.
- Variety of applications, such as food, air and water purification.
- UV radiation destroying nucleic acids in organisms to destroy their DNA.
- Deadly effect on micro-organisms, pathogens, viruses and molds.
- Sterilize drinking- and wastewater.
- Air sanitization and purification.



Class room



X Ray room



CT room



Food Storage Areas
Kitchen



Office



Hospital Ward



Reception area



Minor OT theatre

Benefits:

- Effective in the mitigation against virus ie COVID-19, Tuberculosis, MRSA, H1N1 and other airborne cross contamination.
- Eliminates 99.9% of virus, bacteria, yeast and mold problems found in hospitals, schools, food processing plants and offices.
- Recommended by medical experts.
- Eliminates odours and neutralizes the air.

Applications and locations where to implement :

- Clinical environments such as clinics, hospitals, dental surgery, schools, holding facilities, hospital reception area, wards, minor OT, X ray room, CT scan room, dialysis center.
- Food processing plant and food storage facilities (cheese, wine, vegetable, fruit, meat, etc..).
- Office, open office concept, bank, beauty saloon,
- Laboratoria, testing facilities and dianogtic screening centre that require a clinically clean environment.
- Colleges, kitchen, hall, class room, eating centre.

Contact details